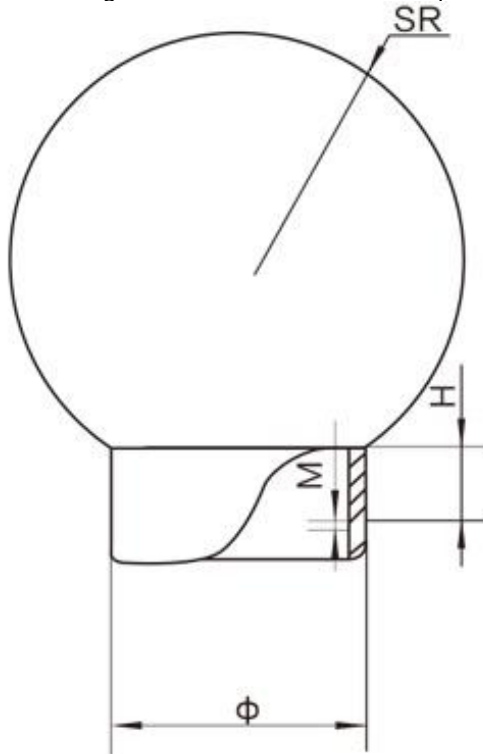


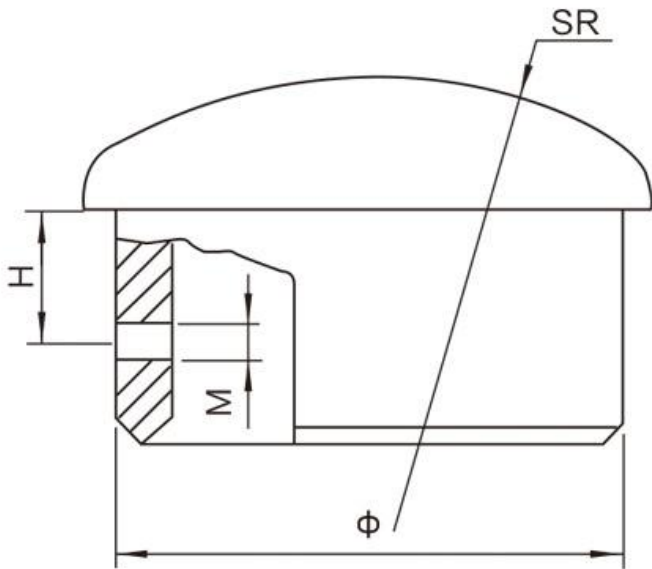
Overview
Dead-end Caps(type MGZ)

Tubular bus-bar dead end caps, belonging to a type of electric power fitting, is mainly installed in the bus terminal on both sides, play a "reduction of corona at both ends of the bus" role. The stable catalog no. of tubular bus-bar dead end caps includes MGZ-50, MGZ-60, MGZ-70, MGZ-80, MGZ-85, MGZ-90, and so on. The color of MGZ dead-end cap is silver white. Tubular bus-bar dead end caps belong to substation fitting. Tubular bus-bar dead end caps are used to fix or hang bus-bars on insulators at the substation.



Catalog No.	Bus-Bar Dia.	Main Dimensions (mm)				WeigHt (kg)
	(mm)	Φ	SR	H	M	
MGZ-50	50/45	45	45	10	8	3
MGZ-60	60/54	54	70	10	8	3.7
MGZ-70	70/64	64	70	15	8	3.8
MGZ-80	80/72	72	70	15	8	4
MGZ-90	90/80	80	80	20	8	4.3
MGZ-100	100/90	90	80	25	8	4.5
MGZ-110	110/100	100	90	25	10	4.6
MGZ-120	120/110	110	90	25	10	4.8
MGZ-130	130/116	116	90	25	10	4.9
MGZ-150	150/136	136	150	30	10	7.4
MGZ-170	170/156	156	170	30	10	12.5
MGZ-200	200/180	180	200	30	12	23.5
MGZ-250	250/230	230	250	40	12	42.5

Dead-end Caps(type MGF)



Catalog No.	Bus-Bar Dia. (mm)	Main Dimensions (mm)				Weight (kg)
		φ	SR	H	M	
MGF-50	50/45	45	50	10	8	0.14
MGF-60	60/54	54	65	15	8	0.17
MGF-70	70/64	64	70	15	8	0.2
MGF-80	80/72	72	70	15	8	0.3
MGF-90	90/80	80	80	15	8	0.35
MGF-100	100/90	90	80	15	8	0.43
MGF-110	110/100	100	80	15	10	0.5
MGF-120	120/110	110	120	15	10	0.55
MGF-130	130/116	116	120	15	10	0.68
MGF-150	150/136	136	150	15	10	1
MGF-170	170/156	156	160	15	10	1.3
MGF-200	200/180	180	200	25	10	1.5
MGF-250	250/230	230	250	25	10	2.9